

# Bus A/C Parts

## Guchen's Magnetic Clutch

--For Bus A/C Compressor



### ▣ Guchen's Magnetic Clutch



**ZHENGZHOU GUCHEN  
INDUSTRY CO., LTD.**

Website: [www.guchen.com](http://www.guchen.com)

Mail: [info@guchen.com](mailto:info@guchen.com)



**GUCHEN**  
Feel Your Drive

ZHENGZHOU GUCHEN INDUSTRY CO., LTD.

ADD: 1908, TIANYI MANSION, 129 HUANGHE RD, (450008) ZHENGZHOU, CHINA

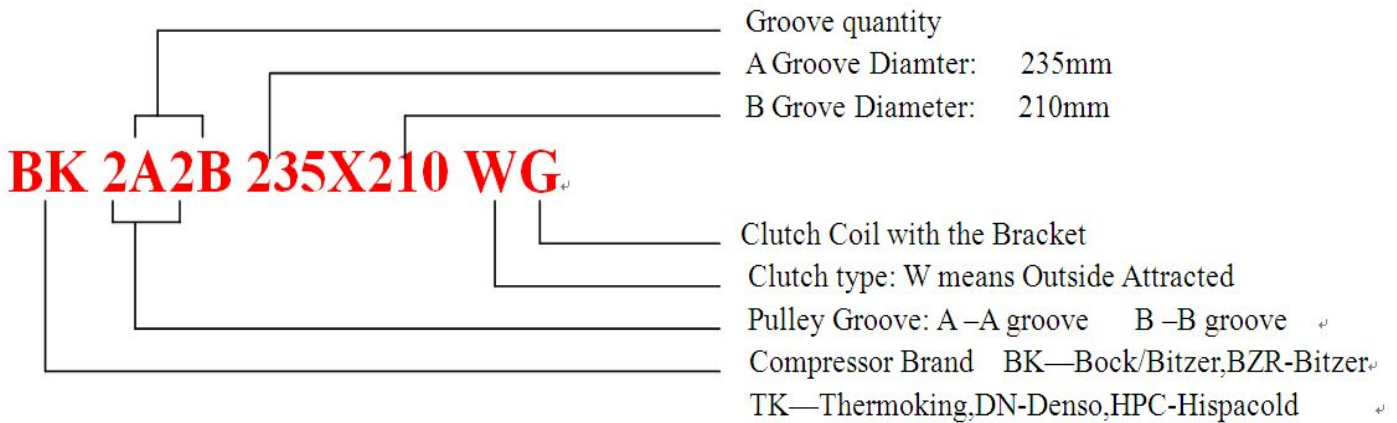
TEL: +86 371 69152893

FAX: +86 371 69152894

<http://www.guchen.com/>

We are professional Magnetic clutch supplier, the clutch mainly used for the bus air conditioner. The clutch are application for **the Bock ,Btizer , Bitzer new model F400,F600, Thermoking X426,X430, Hispacold, Denso,Mando,TM-31** ect compressor. The clutch quality is reliable, **one year warranty.**

**Clutch Model:**



Professional Manufacture, Good Quality





Brand	Model	Groove	Diameter (mm)				Torque	For Compressor
			A	B	C	PK		
Clutch for <b>Denso</b> compressor	DN 4B 172	4B		172			210	Denso 6c500
	DN 2A2B 228x192	2A+2B	228	192			210	Denso 6c620
	DN 8PK2B 228X192	8PK+2B		192		228	210	
	DN 2A2B 235X210	2A+2B	235	210			240	Denso 6c500
Clutch for <b>Bock</b> compressor	BK 6FY						400	Bock FK40/ Bitzer 4P/N
	BK 2A 165	2A	165				240	
	BK 2B 180	2B		180			240	
	BK 2B 210	2B		210			240	
	BK 4B 172	4B		172			240	
	BK 2A1C 260X205	2A+1C	260		205		240	
	BK 2A2B 230X210	2A+2B	230	210			240	
	BK 2A2B 235X210	2A+2B	235	210			240	
	BK 2A2B 260X210	2A+2B	260	210			240	
	BK 3A 246	3A	246				240	Bock FK40
	BK 10PK 184	10PK				184	400	Bock FK50/ Bitzer 6P/N
	BK 10PK 190	10PK				190	400	
	BK 2A2B 280X190	2A+2B	280	190			400	
	BK 2A2B 280X230	2A+2B	280	230			400	
Clutch for <b>Bitzer</b> compressor	BZR 2B 210	2B		210			240	Bitzer 4P/N
	BZR 2A2B 235X210	2A+2B	235	210			240	
	BZR 2B 202	2B		202			180	Bitzer F400
	BZR 3B 230X205	3B		230			180	Bitzer F600
	BZR 2A2B 260X220	2A+2B	260	220			200	
	BZR 2B 220	2B		220			180	
Clutch for <b>Thermoking</b> compressor	TK 2A2B 226X197	2A+2B	226	197			240	Thermoking X430
	TK 2A2B 226X208	2A+2B	226	208			200	Thermoking S616
	TK2A2B 226X204	2A+2B	226	204			240	Thermoking X426
Clutch for <b>Valeo</b> compressor	TM65 2B 200	2B		220				TM-65
	TM652A2B 260X210	2A+2B	260	210				
	TM652A2B 260X200	2A+2B	260	200				
Clutch for <b>Hispacold</b> compressor	HPC 7PK 218	7PK				218	240	Hispacold
	HPC 2B 210	2B		210			240	
	HPC 2B 250	2B		250			280	
	HPC 2A2B 260X210	2A+2B	260	210			240	
Clutch for <b>Mando</b>	MD 2B 195	2B		195			180	Mando MBA-51/55
	MD 2B 210	2B		210			180	Mando MBA-58



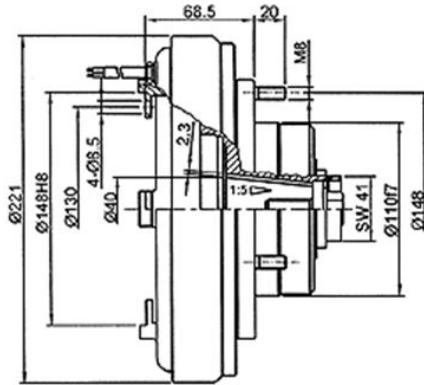




Clutch for **Bock/Bitzer** compressor:



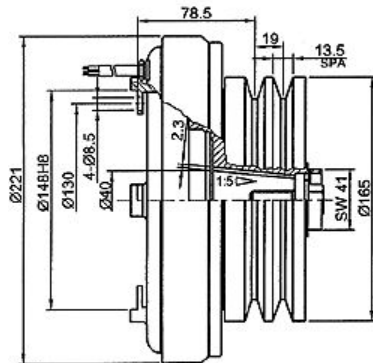
**BK-6FY Clutch**



技术参数 specifications <sup>ρ</sup>		
产品型号 Model Number		BK-6FY
额定电压 Rated Voltage		24v <sup>ρ</sup>
脱离扭矩 Static friction torque		≥400N.m
消耗功率 Consumed Power		≤60W <sup>ρ</sup>
最高转速 Max speed		4000r.p.m
适用机型 Application comp.		BOCK FK4/BITZER 4N



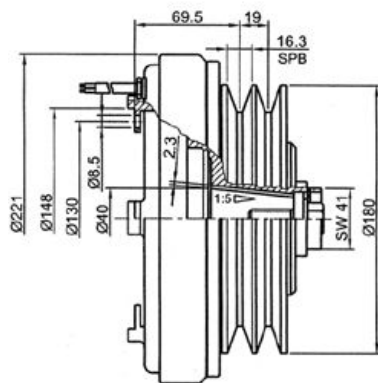
**BK 2A 165 Clutch**



技术参数 specifications <sup>ρ</sup>		
产品型号 Model Number		BK 2A 165
额定电压 Rated Voltage		24v <sup>ρ</sup>
脱离扭矩 Static friction torque		≥240N.m
消耗功率 Consumed Power		≤60W <sup>ρ</sup>
最高转速 Max speed		4000r.p.m
适用机型 Application comp.		BOCK FK4/BITZER 4N



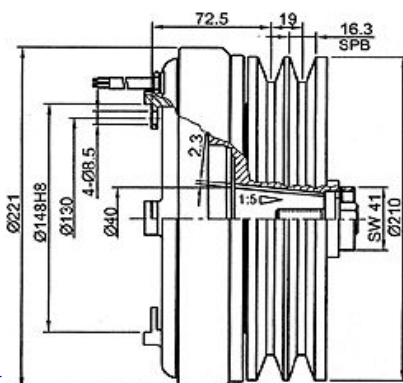
**BK 2B 180 Clutch**



技术参数 specifications <sup>ρ</sup>		
产品型号 Model Number		BK 2B 180
额定电压 Rated Voltage		24v <sup>ρ</sup>
脱离扭矩 Static friction torque		≥240N.m
消耗功率 Consumed Power		≤60W <sup>ρ</sup>
最高转速 Max speed		4000r.p.m
适用机型 Application comp.		BOCK FK4/BITZER 4N



**BK 2B 210 Clutch**



技术参数 specifications <sup>ρ</sup>		
产品型号 Model Number		BK 2B 210
额定电压 Rated Voltage		24v <sup>ρ</sup>
脱离扭矩 Static friction torque		≥240N.m
消耗功率 Consumed Power		≤60W <sup>ρ</sup>
最高转速 Max speed		4000r.p.m
适用机型 Application comp.		BOCK FK4/BITZER 4N





**GUCHEN**  
Feel Your Drive

ZHENGZHOU GUCHEN INDUSTRY CO., LTD.

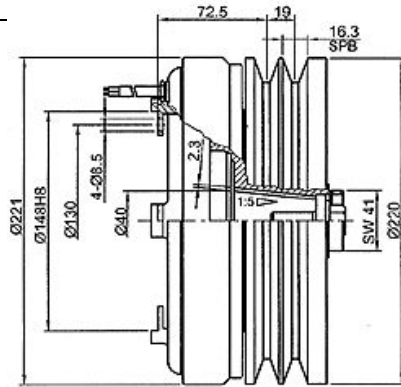
ADD: 1908, TIANYI MANSION, 129 HUANGHE RD, (450008) ZHENGZHOU, CHINA

52893 FAX: +86 371 69152894

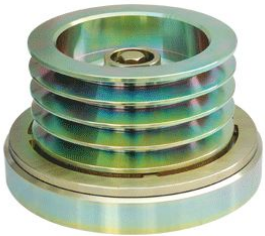
<http://www.guchen.com/>



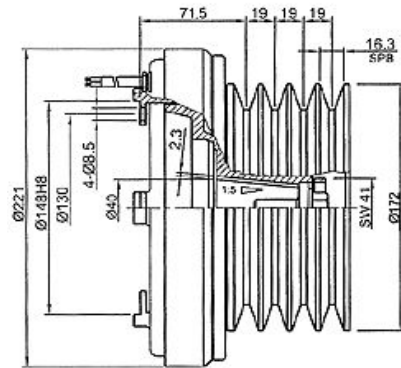
**BK 2B 220 Clutch**



技术参数 specifications		
产品型号 Model Number	BK 2B 220	
额定电压 Rated Voltage	24v <sup>Ⓢ</sup>	
脱离扭矩 Static friction torque	≥ 240N.m	
消耗功率 Consumed Power	≤ 60W <sup>Ⓢ</sup>	
最高转速 Max speed	4000r.p.m	
适用机型 Application comp.	BOCK FK4/BITZER 4N	



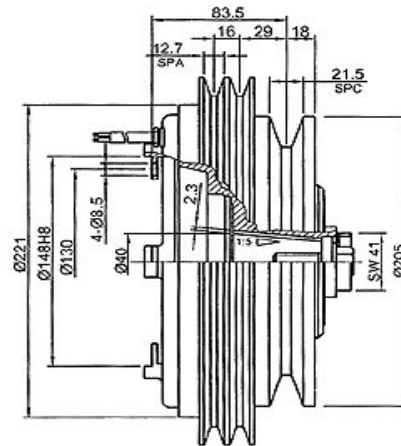
**BK 4B 172 Clutch**



技术参数 specifications		
产品型号 Model Number	BK 4B 172	
额定电压 Rated Voltage	24v <sup>Ⓢ</sup>	
脱离扭矩 Static friction torque	≥ 240N.m	
消耗功率 Consumed Power	≤ 60W <sup>Ⓢ</sup>	
最高转速 Max speed	4000r.p.m	
适用机型 Application comp.	BOCK FK4/BITZER 4N	



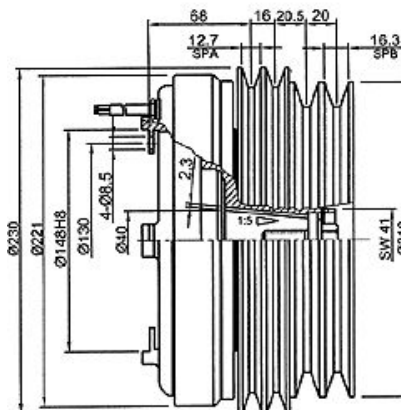
**BK 2A1C 260X205 Clutch**



技术参数 specifications		
产品型号 Model Number	BK 2A1C 260X205	
额定电压 Rated Voltage	24v <sup>Ⓢ</sup>	
脱离扭矩 Static friction torque	≥ 240N.m	
消耗功率 Consumed Power	≤ 60W <sup>Ⓢ</sup>	
最高转速 Max speed	4000r.p.m	
适用机型 Application comp.	BOCK FK4/BITZER 4N	



**BK 2A2B 230X210 Clutch**



技术参数 specifications		
产品型号 Model Number	BK 2A2B 230X210	
额定电压 Rated Voltage	24v <sup>Ⓢ</sup>	
脱离扭矩 Static friction torque	≥ 240N.m	
消耗功率 Consumed Power	≤ 60W <sup>Ⓢ</sup>	
最高转速 Max speed	4000r.p.m	
适用机型 Application comp.	BOCK FK4/BITZER 4N	

Email: [info@guchen.com](mailto:info@guchen.com)



**GUCHEN**  
Feel Your Drive

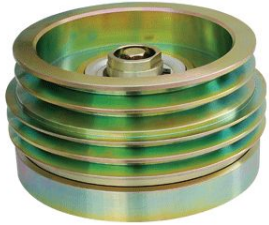
ZHENGZHOU GUCHEN INDUSTRY CO., LTD.

ADD: 1908, TIANYI MANSION, 129 HUANGHE RD, (450008) ZHENGZHOU, CHINA

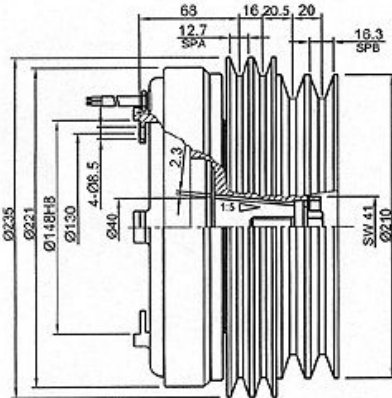
TEL: +86 371 69152893

FAX: +86 371 69152894

<http://www.guchen.com/>



**BK 2A2B 235X210 Clutch**

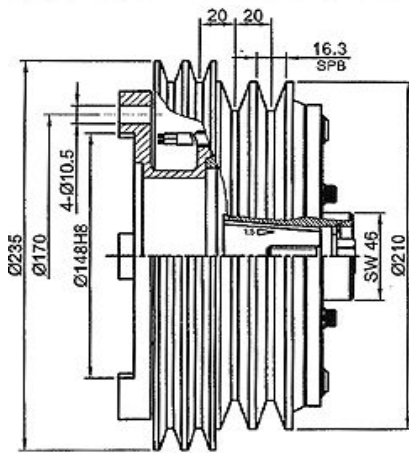


技术参数 specifications

产品型号 Model Number	BK 2A2B 235X210
额定电压 Rated Voltage	24v
脱离扭矩 Static friction torque	≥ 240N.m
消耗功率 Consumed Power	≤ 60W
最高转速 Max speed	4000r.p.m
适用机型 Application comp.	BOCK FK4/BITZER 4N



**BK 2A2B 235X210G Clutch**

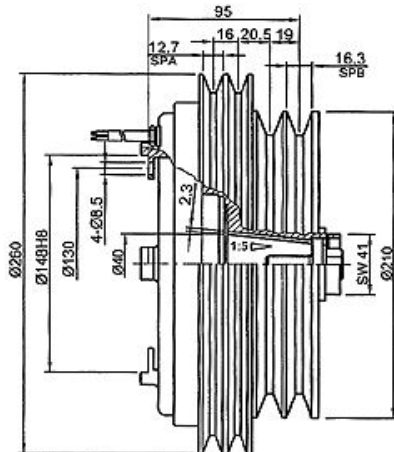


技术参数 specifications

产品型号 Model Number	BK 2A2B 235X210 G
额定电压 Rated Voltage	24v
脱离扭矩 Static friction torque	≥ 240N.m
消耗功率 Consumed Power	≤ 60W
最高转速 Max speed	4000r.p.m
适用机型 Application comp.	BOCK FK4/BITZER 4N



**BK 2A2B 260X210 Clutch**

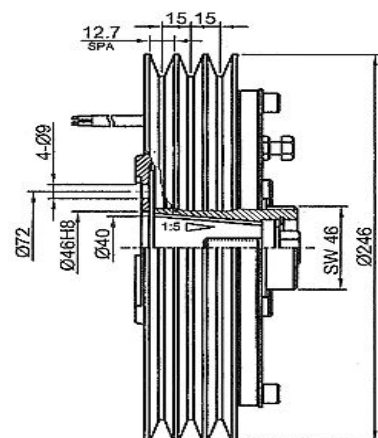


技术参数 specifications

产品型号 Model Number	BK 2A2B 260X210
额定电压 Rated Voltage	24v
脱离扭矩 Static friction torque	≥ 240N.m
消耗功率 Consumed Power	≤ 60W
最高转速 Max speed	4000r.p.m
适用机型 Application comp.	BOCK FK4/BITZER 4N



Email: [info@guchen.com](mailto:info@guchen.com)  
**BK 3A 246**



技术参数 specifications

产品型号 Model Number	BK 3A 246
额定电压 Rated Voltage	24v
脱离扭矩 Static friction torque	≥ 240N.m
消耗功率 Consumed Power	≤ 50W
最高转速 Max speed	4000r.p.m
适用机型 Application comp.	BOCK FK4





**GUCHEN**  
Feel Your Drive

ZHENGZHOU GUCHEN INDUSTRY CO., LTD.

ADD: 1908, TIANYI MANSION, 129 HUANGHE RD, (450008) ZHENGZHOU, CHINA

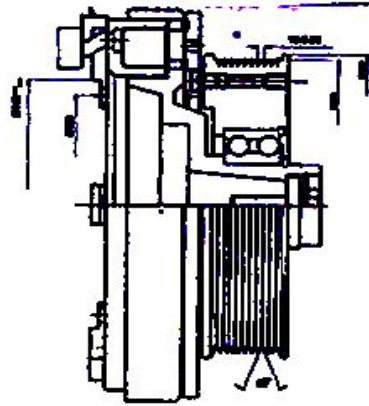
TEL: +86 371 69152893

FAX: +86 371 69152894

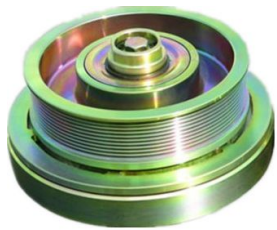
<http://www.guchen.com/>



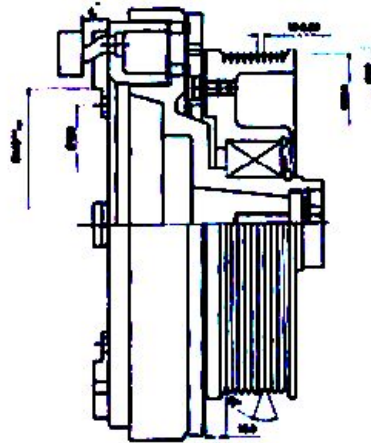
**BK 10PK 184**



技术参数 specifications <sup>□</sup>	
产品型号 Model Number	BK 10PK 184
额定电压 Rated Voltage	24v <sup>□</sup>
脱离扭矩 Static friction torque	≥400N.m
消耗功率 Consumed Power	≤62W <sup>□</sup>
最高转速 Max speed	4000r.p.m
适用机型 Application comp.	BOCK FK5/BITZER 6N



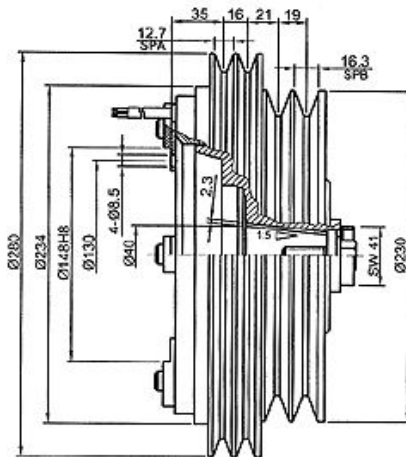
**BK 10PK 190**



技术参数 specifications <sup>□</sup>	
产品型号 Model Number	BK 10PK 190
额定电压 Rated Voltage	24v <sup>□</sup>
脱离扭矩 Static friction torque	≥240N.m
消耗功率 Consumed Power	≤60W <sup>□</sup>
最高转速 Max speed	4000r.p.m
适用机型 Application comp.	BOCK FK5/BITZER 6N



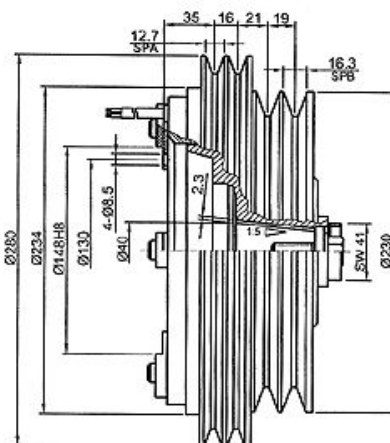
**BK 2A2B 280X190**



技术参数 specifications <sup>□</sup>	
产品型号 Model Number	BK 2A2B280X190
额定电压 Rated Voltage	24v <sup>□</sup>
脱离扭矩 Static friction torque	≥240N.m
消耗功率 Consumed Power	≤60W <sup>□</sup>
最高转速 Max speed	4000r.p.m
适用机型 Application comp.	BOCK FK5/BITZER 6N



**BK 2A2B 280X230**



技术参数 specifications <sup>□</sup>	
产品型号 Model Number	BK 2A2B 280X230
额定电压 Rated Voltage	24v <sup>□</sup>
脱离扭矩 Static friction torque	≥400N.m
消耗功率 Consumed Power	≤62W <sup>□</sup>
最高转速 Max speed	4000r.p.m
适用机型 Application comp.	BOCK FK5/BITZER 6N

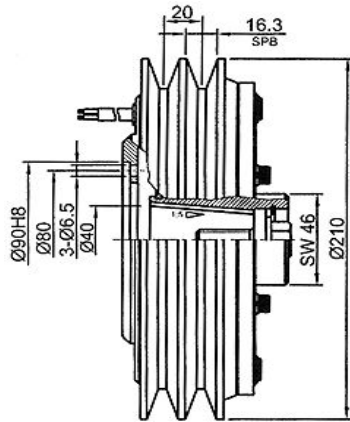




Clutch for **Bitzer** compressor:



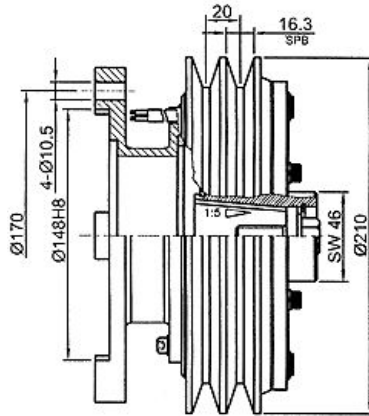
**BZR 2B 210**



技术参数 specifications	
产品型号 Model Number	BZR 2B 210
额定电压 Rated Voltage	24v
脱离扭矩 Static friction torque	≥240N.m
消耗功率 Consumed Power	≤60W
最高转速 Max speed	4000r.p.m
适用机型 Application comp.	BITZER 4N



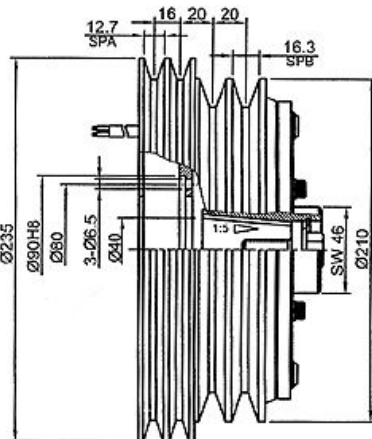
**BZR 2B 210G**



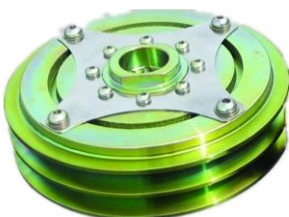
技术参数 specifications	
产品型号 Model Number	BZR 2B 210G
额定电压 Rated Voltage	24v
脱离扭矩 Static friction torque	≥240N.m
消耗功率 Consumed Power	≤60W
最高转速 Max speed	4000r.p.m
适用机型 Application comp.	BITZER 4N



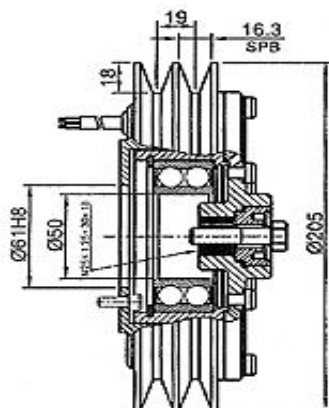
**BZR 2A2B 235X210**



技术参数 specifications	
产品型号 Model Number	BZR 2A2B 235X210
额定电压 Rated Voltage	24v
脱离扭矩 Static friction torque	≥240N.m
消耗功率 Consumed Power	≤60W
最高转速 Max speed	4000r.p.m
适用机型 Application comp.	BITZER 4N



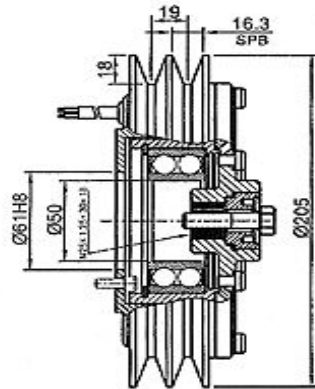
Email: [info@guchen.com](mailto:info@guchen.com)  
**BZR 2B 202**



技术参数 specifications	
产品型号 Model Number	BZR 2B 202
额定电压 Rated Voltage	24v
脱离扭矩 Static friction torque	≥180N.m
消耗功率 Consumed Power	≤62W
最高转速 Max speed	4000r.p.m
适用机型 Application comp.	BITZER F400



**BZR 2B 205**

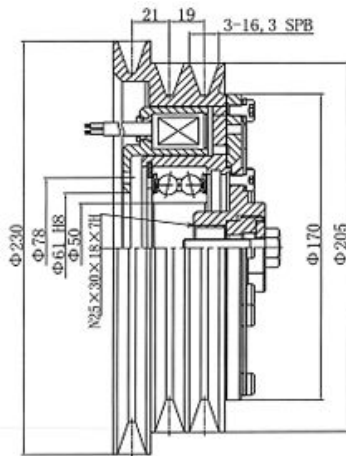


技术参数 specifications

产品型号 Model Number	BZR 2B 205
额定电压 Rated Voltage	24v
脱离扭矩 Static friction torque	≥180N.m
消耗功率 Consumed Power	≤62W
最高转速 Max speed	4000r.p.m
适用机型 Application comp.	BITZER F400



**BZR 3B 230X205**

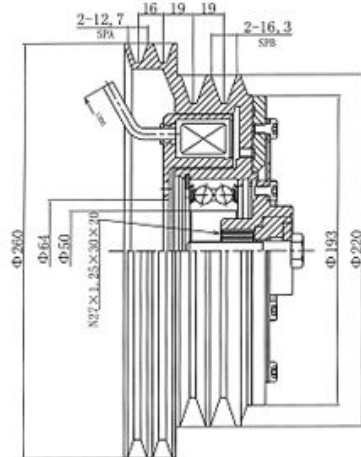


技术参数 specifications

产品型号 Model Number	BZR 3B 230X205
额定电压 Rated Voltage	24v
脱离扭矩 Static friction torque	≥180N.m
消耗功率 Consumed Power	≤62W
最高转速 Max speed	4000r.p.m
适用机型 Application comp.	BITZER F600



**BZR 2A2B 260X220**



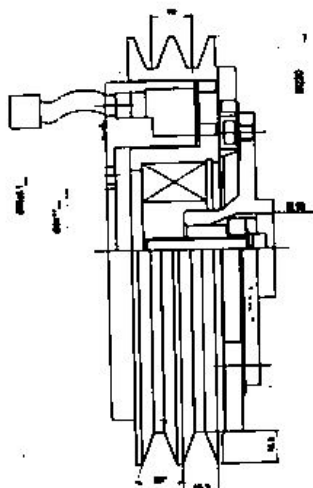
技术参数 specifications

产品型号 Model Number	BZR 2A2B 260X220
额定电压 Rated Voltage	24v
脱离扭矩 Static friction torque	≥200N.m
消耗功率 Consumed Power	≤62W
最高转速 Max speed	4000r.p.m
适用机型 Application comp.	BITZER F600



**BZR 2B 220**

n.c



技术参数 specifications

产品型号 Model Number	BZR 2B 220
额定电压 Rated Voltage	24v
脱离扭矩 Static friction torque	≥180N.m
消耗功率 Consumed Power	≤62W
最高转速 Max speed	4000r.p.m
适用机型 Application comp.	BITZER F600

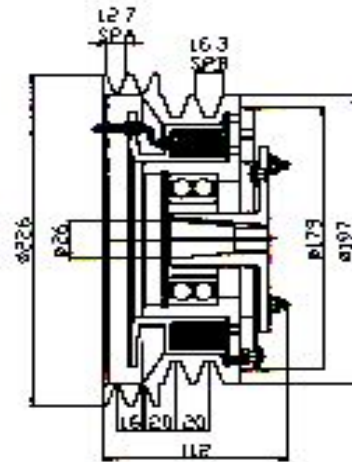




Clutch for **Thermoking** compressor:



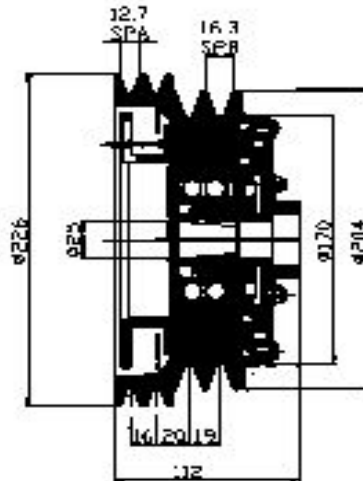
[TK 2A2B 226X197](#)



技术参数 specifications <sup>o</sup>		
产品型号 Model Number		TK 2A2B 226X197
额定电压 Rated Voltage		24v <sup>o</sup>
脱离扭矩 Static friction torque		≥240N.m
消耗功率 Consumed Power		≤60W <sup>o</sup>
最高转速 Max speed		4000r.p.m
适用机型 Application comp.		THERMOKING X430



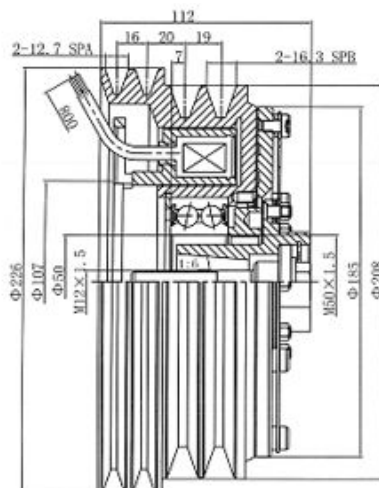
[TK 2A2B 226X204](#)



技术参数 specifications <sup>o</sup>		
产品型号 Model Number		TK 2A2B 226X204
额定电压 Rated Voltage		24v <sup>o</sup>
脱离扭矩 Static friction torque		≥240N.m
消耗功率 Consumed Power		≤60W <sup>o</sup>
最高转速 Max speed		4000r.p.m
适用机型 Application comp.		THERMOKING X430



[TK 2A2B 226X208](#)



技术参数 specifications <sup>o</sup>		
产品型号 Model Number		TK 2A2B 226X208
额定电压 Rated Voltage		24v <sup>o</sup>
脱离扭矩 Static friction torque		≥200N.m
消耗功率 Consumed Power		≤60W <sup>o</sup>
最高转速 Max speed		4000r.p.m
适用机型 Application comp.		THERMOKING S616

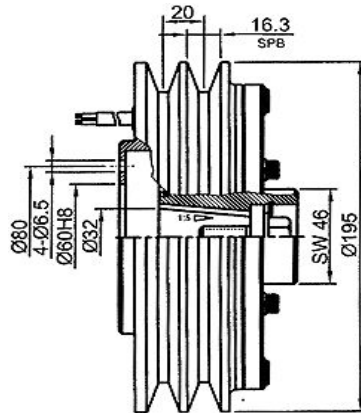




Clutch for **Mando** compressor:



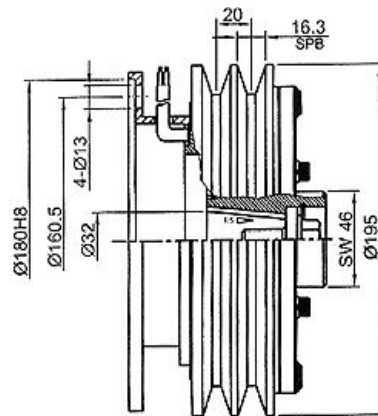
MD 2B 195



技术参数 specifications	
产品型号 Model Number	MD 2B 195
额定电压 Rated Voltage	24v
脱离扭矩 Static friction torque	≥180N.m
消耗功率 Consumed Power	≤60W
最高转速 Max speed	4000r.p.m
适用机型 Application comp.	MANDO MBA-51/55



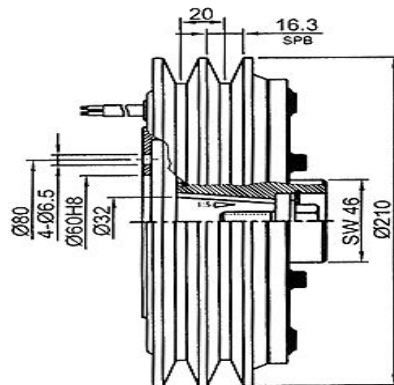
MD 2B 195G



技术参数 specifications	
产品型号 Model Number	MD 2B 195G
额定电压 Rated Voltage	24v
脱离扭矩 Static friction torque	≥180N.m
消耗功率 Consumed Power	≤60W
最高转速 Max speed	4000r.p.m
适用机型 Application comp.	MANDO MBA-51/55



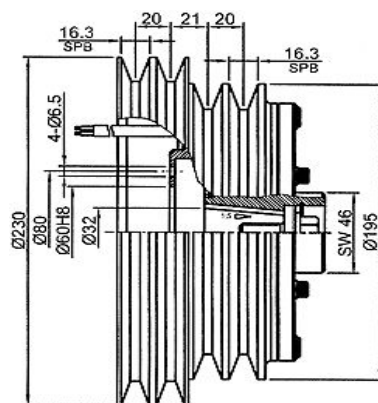
MD 2B 210



技术参数 specifications	
产品型号 Model Number	MD 2B 210
额定电压 Rated Voltage	24v
脱离扭矩 Static friction torque	≥180N.m
消耗功率 Consumed Power	≤60W
最高转速 Max speed	4000r.p.m
适用机型 Application comp.	MANDO MBA-51/55



MD 4B 230X195



技术参数 specifications	
产品型号 Model Number	MD 4B 230X195
额定电压 Rated Voltage	24v
脱离扭矩 Static friction torque	≥180N.m
消耗功率 Consumed Power	≤60W
最高转速 Max speed	4000r.p.m
适用机型 Application comp.	MANDO MBA-58



**GUCHEN**  
*Feel Your Drive*

ZHENGZHOU GUCHEN INDUSTRY CO., LTD.

ADD: 1908, TIANYI MANSION, 129 HUANGHE RD, (450008) ZHENGZHOU, CHINA

TEL: +86 371 69152893

FAX: +86 371 69152894

<http://www.guchen.com/>

---

Zhengzhou Guchen Industry Co., Ltd

Website: [www.guchen.com](http://www.guchen.com)

E-mail: [info@guchen.com](mailto:info@guchen.com)

More Clutch: [Bus aircon compressor Magnetic Clutch](#)