

## TR460 One-Piece Unit

### Description:

TR460 One-Piece Unit ,It is driven by vehicles engine,and can meet transportation cooling requirement of mid-size vehicles 15~25m<sup>3</sup> .

### Control system

DC voltage 12V/24V

Digital Control Panel

### Warranty Summary

Specific terms of the Guchen warranty are available on request.



### Front Mounted Unit

Temperature rating in container	-20℃~+25℃ (Fresh)	
Cooling Capacity	0℃	4395W
	-18℃	2430W
Application Box Volume	15~25 m <sup>3</sup>	
Voltage	DC12V/24V	

### Compressor

Brand	QUE
Model	QP16
Displacement	163 cc/r

### Refrigerant

Type	R404A
Amount	1.8kg

### Evaporator

Type	Hydrophilic aluminum foil with internal ridge copper tube
Opening Size	1290*495 mm

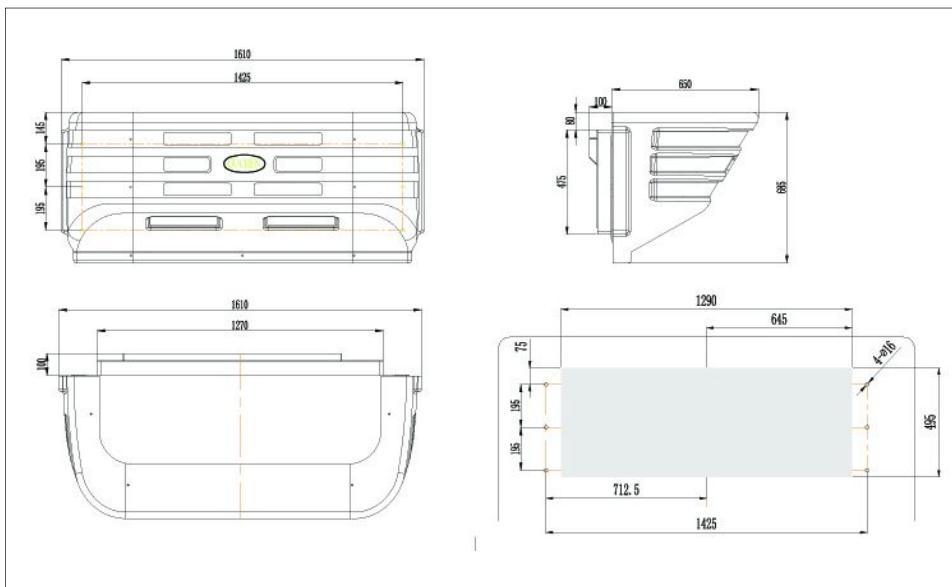
### Condenser

Type	Hydrophilic aluminum foil with internal ridge copper tube
Dimension	1610*650*685 mm
Fan motor	Axial type
No. of fan motor	2 pcs

### Optional & function

Electric Standby ,Heating Functions

Specification are subject to change without priority notice. For specific model performance data, capacities, and other technical information, contact GUCHEN service man or your local factory representative



Zhengzhou Guchen Industry Co.,Ltd.

Add: 129 Huanghe Road, Zhengzhou City,Henan P.R.China.

Tel: +86 371 6915 2892

Fax:+86 371 6915 2894

Email:info@guchen.com

<http://www.guchen.com>

Best not only better quality of the first customers

first.